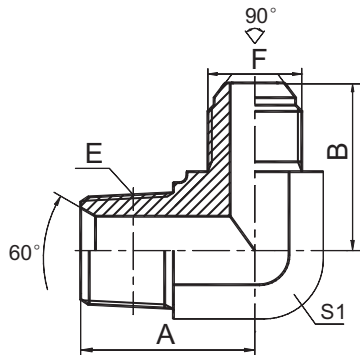


过渡接头 ADAPTER



1NP9-M

90° 布锥管外螺纹 / 公制外螺纹 90° 外锥
 90° NPT MALE/METRIC MALE 90° CONE

代号 PART NO.	螺纹 THREAD		尺寸 DIMENSIONS						
	E	F			A	B	S1		
1NP9-02-10M	Z1/8"X27	M10X1			21	24	11		
1NP9-04-12AM	Z1/4"X18	M12X1			25.5	27	14		
1NP9-04-12M	Z1/4"X18	M12X1.5			25.5	28	14		
1NP9-04-14M	Z1/4"X18	M14X1.5			25.5	28	14		
1NP9-06-16M	Z3/8"X18	M16X1.5			31	32.5	19		
1NP9-08-20M	Z1/2"X14	M20X1.5			36.7	37	22		
1NP9-08-22M	Z1/2"X14	M22X1.5			36.7	38	22		